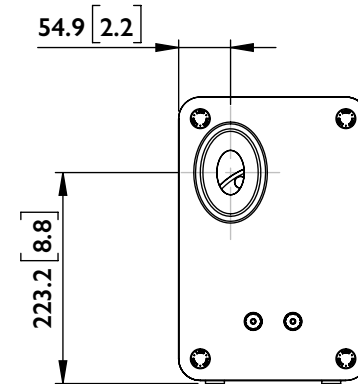
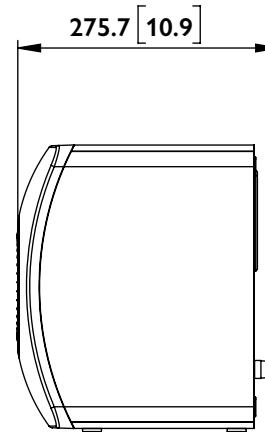
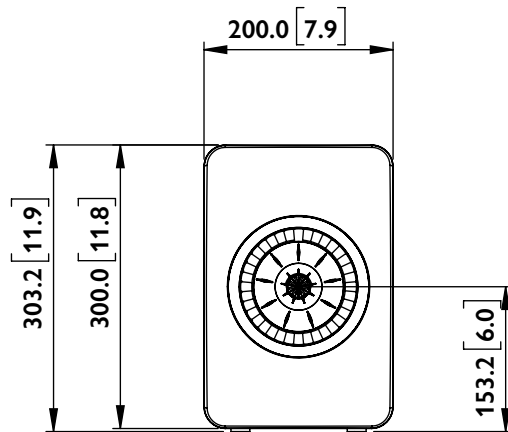
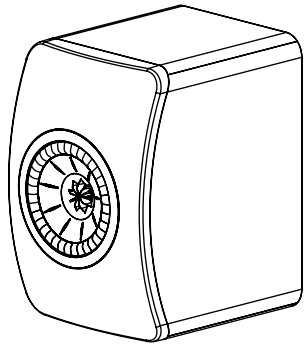




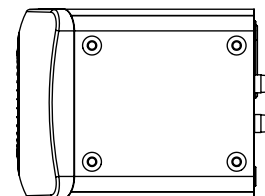
FRONT

SIDE

BACK



BOTTOM



LS50

UNIT: MM [INCH]